

# FT series FT12II

## Two-way Loudspeaker System



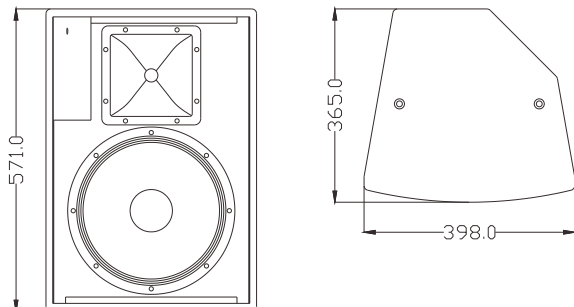
The **FT12 II** is a 2-way system with one 12" (300mm) woofer and one 1" (25mm) exit compression driver mounted on a rotatable  $80^{\circ} \times 50^{\circ}$  horn.

FT12 II 是一款12"两分音全音域音箱。采用一只12"高效率低音单元，一只1"喉口34芯钛膜高音驱动器配置  $80^{\circ} \times 50^{\circ}$  可旋转号角，箱体采用高密度复合板，水性环保喷涂制作。

### FEATURES

- High quality MDF with special environmental protection paint
- Ultra-compact two-way system
- Rotatable  $80^{\circ} \times 50^{\circ}$  horn

### CONFIGURATION



### 产品特点

- 优化单元配置，高强度复合板箱体，性价比极高
- 多吊挂点与支撑配合，操作简易快捷
- 超长品质保证期：品质与信心的保证

### 适用范围

- 用于全音域扩声、语言会议系统
- 多功能厅、高级酒店会所、学校教室
- 小型室外扩声



<b>FREQUENCY RESPONSE(-3dB)</b>	45Hz-20kHz
<b>FREQUENCY RESPONSE(-10dB)</b>	40Hz-20kHz
<b>DRIVERS</b>	1×12"(300mm)/2.5" voice coil LF 1×1"(25mm)/1.4" voice coil HF
<b>RATED POWER</b>	250W RMS, 1000W peak
<b>SENSITIVITY</b>	96dB 1watt/1 metre
<b>MAXIMUM SPL</b>	120 dB continuous, 126 dB peak
<b>IMPEDANCE</b>	8 ohms nominal
<b>DISPERSION(-6dB)</b>	$80^{\circ} \times 50^{\circ}$
<b>CROSSOVER FREQUENCIES</b>	2.2 kHz passive
<b>INPUT CONNECTORS</b>	2× Speakon NL4
<b>PACKAGE SIZE</b>	490mm×455mm×665mm
<b>NET WEIGHT</b>	19 kg/pc
<b>GROSS WEIGHT</b>	21 kg/pc